

# POWERSUPPLIES

## Remote panel with ON/OFF function



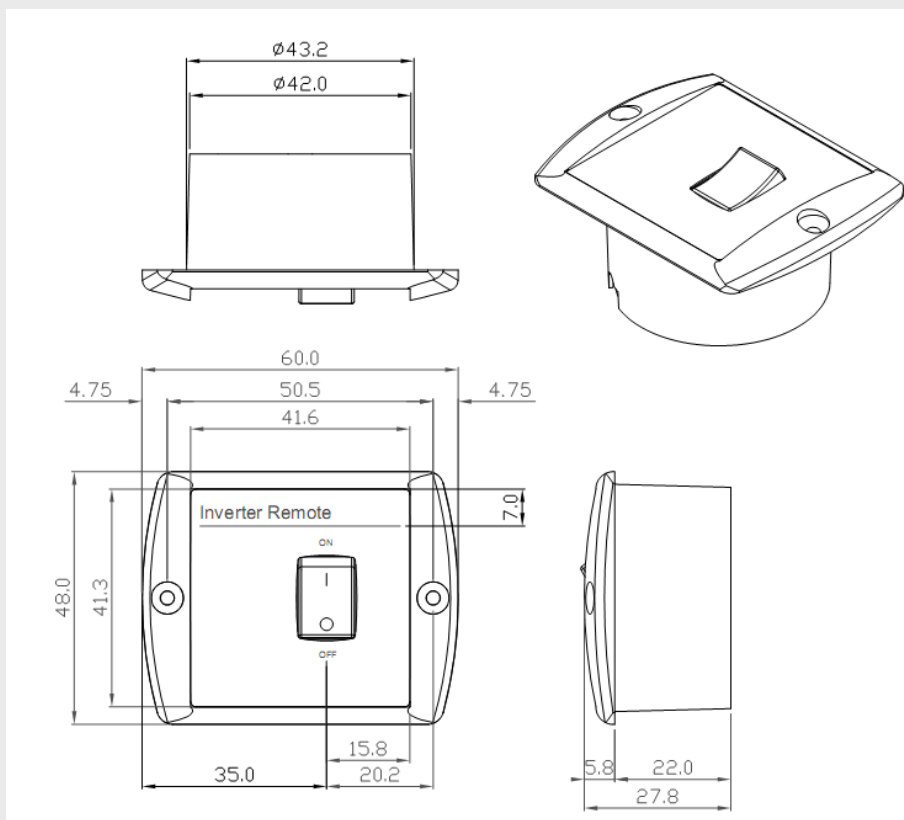
- Fit inverter WHS-300/600/1000/1700W and INT-300/600
- Simple connection to the inverter with RJ11 plug
- Mount in a  $\varnothing 44-45$ mm hole
- 6m white cable

Remote connects to the RJ11 connector at the inverter panel. The remote can operate the inverter with the ON/OFF switch if the switch at the inverter is in "REMOTE" position.

Please note!

If the inverter switch are in pos "0" or "I" it's not possible to operate the inverter by the remote panel.

### Mechanical drawing:



### Ordering information:

Type	Function
REMOTE 1	ON/OFF function