

# POWERSUPPLIES

## DC to AC inverter, 1000W with soft start



- Very high peak load capacity, 2500W
- Modified sine wave output
- Over load, polarity and short circuit protection
- CE marking including LVD and "e" mark
- Equipped with ON/OFF remote function input

### Technical data:

#### Input:

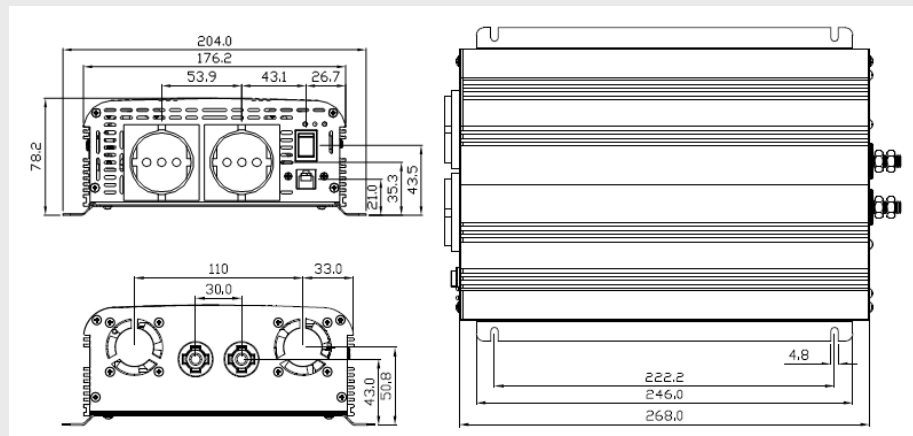
Input voltage: 12VDC or 24VDC  
 Tolerance: -15 % / +25%  
 Current consumption at no load: 1.0A at 12V and 0.5A at 24V

#### Output:

Output voltage: 230VAC/50Hz modified sine wave  
 Regulation: +/-10%  
 Output power nominal: 1000W continuous  
 Output power peak: 2500W for 100mS  
 Efficiency: >85%  
 Protection: Short circuit, Overload and polarity protection (fuse)  
 Temperature protection: Shutdown at 60°C +/-10°C  
 High battery voltage: Shutdown at 15V, +/-1.0V or 30V, +/- 1.5V  
 Low battery voltage: Alarm at 10.5V, +/-0.5V or 21V, +/- 1.0V  
 Shutdown at 10V, +/-0.5V or 20V, +/- 1.0V

Fuse: 35A@12V(4pcs), 35A@24V(2pcs)  
 Temperature range: -15°C+50°C  
 Cooling: Fan inside  
 Size: 300x204x78 mm  
 Weight: 3250g  
 Safety and EMC: CE / LVD acc. to EN61558 and "e9"

### Mechanical drawing:



### Ordering information:

Type	Input voltage	Power	Output voltage
WHS-1000/12-230	12VDC	1000W	230VAC
WHS-1000/24-230	24VDC	1000W	230VAC
REMOTE 1	ON/OFF remote with 6m cable		