

POWERSUPPLIES

DC to AC inverter, 300W with soft start



- Very high peak load capacity, 750W
- Modified sine wave output
- Over load, polarity and short circuit protection
- CE marking including LVD and "e" mark
- Equipped with ON/OFF remote function input

Technical data:

Input:

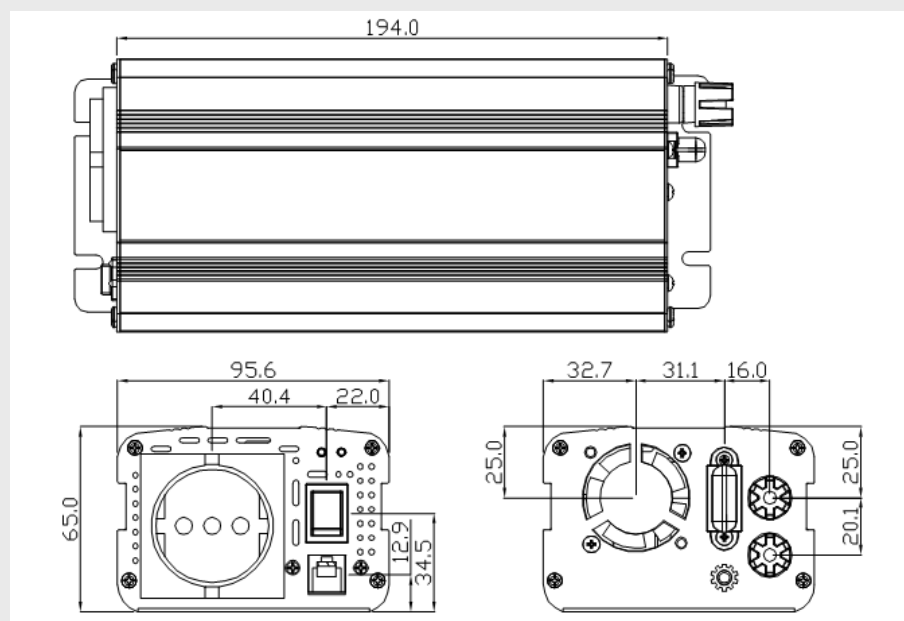
Input voltage: 12VDC or 24VDC
 Tolerance: -15 % / +25%
 Current consumption at no load: 0.5A at 12V and 0.3A at 24V

Output:

Output voltage: 230VAC/50Hz modified sine wave
 Regulation: +/-10%
 Output power nominal: 300W continuous
 Output power peak: 750W for 5mS
 Efficiency: >85%
 Protection: Short circuit, Overload and polarity protection (fuse)
 Temperature protection: Shutdown at 60°C +/-10°C
 High battery voltage: Shutdown at 15V, +/-1.0V or 30V, +/- 1.5V
 Low battery voltage: Alarm at 10.5V, +/-0.5V or 21V, +/- 1.0V
 Shutdown at 10V, +/-0.5V or 20V, +/- 1.0V

Fuse: 35A@12V / 20A@24V
 Temperature range: -15°C+50°C
 Cooling: Fan inside
 Size: 218x96x65 mm
 Weight: 1010g
 Safety and EMC: CE / LVD acc. to EN61558 and "e9"

Mechanical drawing:



Ordering information:

Type	Input voltage	Power	Output voltage
WHS-300/12-230	12VDC	300W	230VAC
WHS-300/24-230	24VDC	300W	230VAC
REMOTE 1	ON/OFF remote with 6m cable		