

# POWERSUPPLIES

## DC till AC inverter, 140W with soft start



- Peak load capacity, 280W
- Modified sine wave output
- High efficiency level
- Over load, polarity and short circuit protection
- CE marking including LVD and "e" mark

### Technical data:

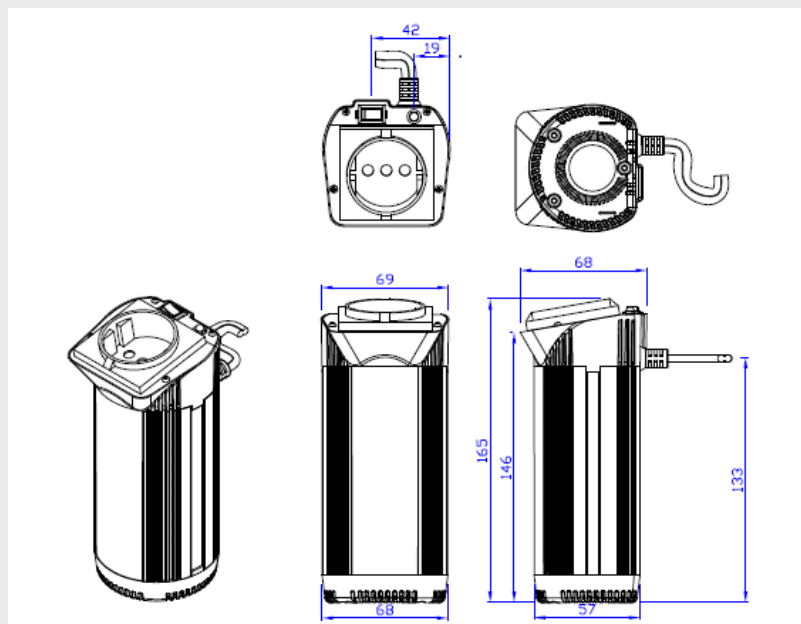
#### Input:

Input voltage: 12VDC or 24VDC  
Tolerance: -15 % / +25%  
Current consumption at no load: 0.45A at 12V and 0.3A at 24V

#### Output:

Output voltage: 230VAC/50Hz modified sine wave  
Regulation: +/-10%  
Output power nominal: 140W continuous  
Output power peak: 280W for 5mS  
Efficiency: >85%  
Protection: Short circuit, Overload and polarity protection (fuse)  
Temperature protection: Shutdown at 60°C +/-10°C  
High battery voltage: Shutdown at 15V, +/-1.0V alt 30V, +/- 1.5V  
Low battery voltage: Shutdown at 9.5V, +/-1.0V alt 20V, +/- 1.0V  
Fuse: 15A@12V / 7.5A@24V  
Temperature range: -15°C-+50°C  
Cooling: Convection cooling (no fan)  
Size: 165x69x69 mm  
Weight: 430g  
Safety and EMC: CE / LVD acc. to EN61558 and "e9"

### Mechanical drawing:



### Ordering information:

Type	Input voltage	Power	Output voltage
WHSR-140/12-230	12VDC	140W	230VAC
WHSR-140/24-230	24VDC	140W	230VAC