

POWERSUPPLIES

DC till AC inverter, 140W with soft start and USB output



- Peak load capacity, 280W
- Modified sine wave output
- High efficiency level
- Over load, polarity and short circuit protection
- CE marking including LVD and "e" mark

Technical data:

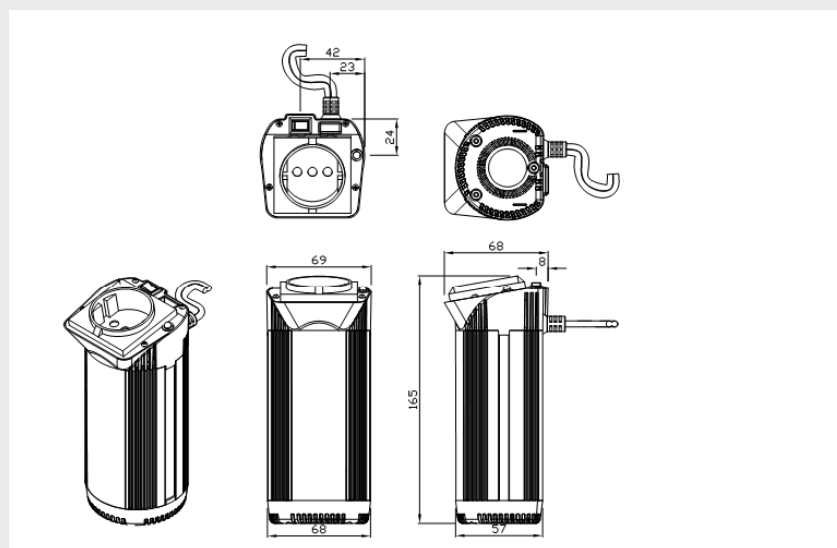
Input:

Input voltage: 12VDC or 24VDC
Tolerance: -15 % / +25%
Current consumption at no load: 0.45A at 12V and 0.3A at 24V

Output:

Output voltage: 230VAC/50Hz modified sine wave
USB output: 5VDC/500mA
Regulation: +/-10%
Output power nominal: 140W continuous
Output power peak: 280W for 5mS
Efficiency: >85%
Protection: Short circuit, Overload and polarity protection (fuse)
Temperature protection: Shutdown at 60°C +/-10°C
High battery voltage: Shutdown at 15V, +/-1.0V alt 30V, +/- 1.5V
Low battery voltage: Shutdown at 9.5V, +/-1.0V alt 20V, +/- 1.0V
Fuse: 15A@12V / 7.5A@24V
Temperature range: -15°C+50°C
Cooling: Convection cooling (no fan)
Size: 165x69x69 mm
Weight: 430g
Safety and EMC: CE / LVD acc. to EN61558 and "e9"

Mechanical drawing:



Ordering information:

Type	Input voltage	Power	Output voltage
WHSR-140-USB/12-230	12VDC	140W	230VAC / 5VDC
WHSR-140-USB/24-230	24VDC	140W	230VAC / 5VDC